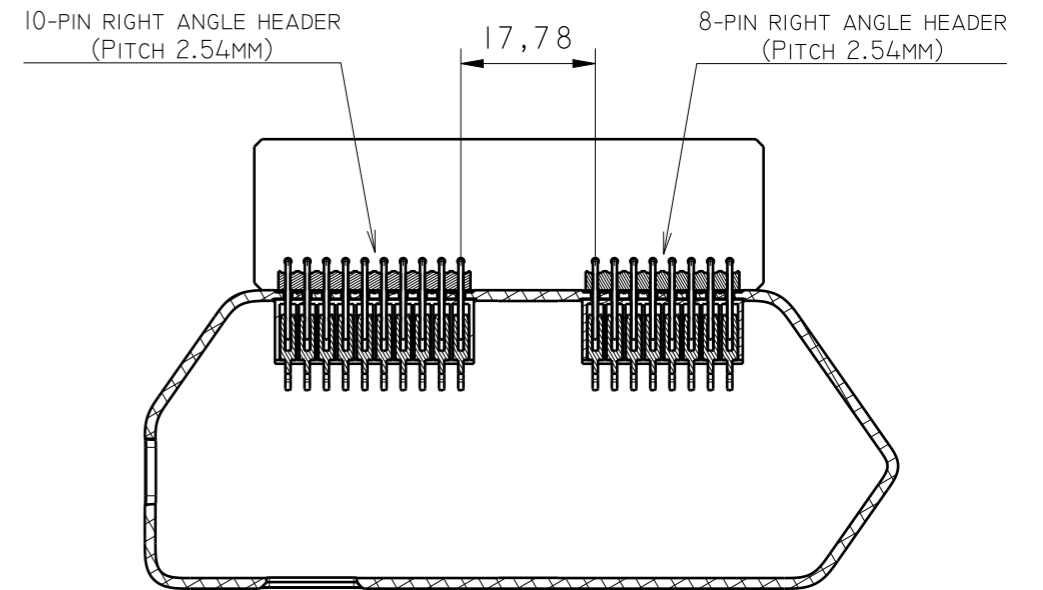
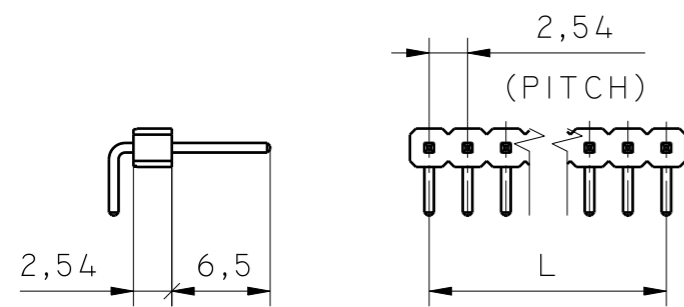


SECTION CUT A-A



SECTION VIEW B-B



TITLE	L
8-PIN RIGHT ANGLE HEADER	17.78
10-PIN RIGHT ANGLE HEADER	22.86

TOLERANCE L (MM)	DIMENSION		
	A	B	C
L <= 3	0.05	0.10	0.15
3 < L <= 15	0.08	0.15	0.20
15 < L <= 30	0.10	0.20	0.25
30 < L <= 70	0.15	0.25	0.35
70 < L <= 120	0.20	0.35	0.50
120 < L	0.30	0.45	0.65
ANGLE (DEG)	I	I	I

= CRITICAL DIM
 = TOOLING DIM
 = PROCESS DIM (CPK)
 MAT'L. : SEE NOTES
 = DIMENSION ID

MATERIAL: -
 FINISH: -
 SCALE 1:1
 DATE: 10.03.2021
 TITLE: UNCASSED EXTERNAL MODULE
 DRAWING NUMBER: UNCASSED EXT.MODULE
 APPROVED BY:
 DRAWN BY:
 REVIEWED BY:
 SHEET 1 OF 1
 REVISION:
 B - CLASS OF TOLERANCE

FLIPPER DEVICES INC.